

AcquaLink 7" TFT Display

Description

The AcquaLink® capacitive multi-touch TFT display is available in 7" display size. The full 24 bit / 16 mio. Colour optically bonded display technology for unprecedented and unsurpassed readability even in direct sunlight. The TFT display connects directly to the VDO Bus backbone. For simple installation in any yacht, up to 5 displays can be installed per VDO Bus line.

AcquaLink 7 TFT display also has an innovative feature, in case that is installed on board in standalone configuration, it will load dedicated standalone feature mainly touch screen. This feature is perfect for most installation in sailing vessel, so that the user can reproduce the needed information a single display using big numbers. the same feature is available with Horizontal layout, this will permit to vessel, with a limited space under the boom to have 3 information in a single display.



A2C59501997



A2C3997470001

Features

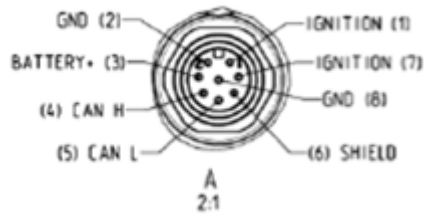
- Full 24 bit / 16 mio. colours
- Optically bonded display
- Multi touchscreen
- Transflective layer technology for unprecedented and unsurpassed readability even in direct sunlight
- VDO Bus backbone for simple installation
- Direct video inputs
- Compatible with unique VDO NavControl
- Flush mount possibility
- Protection to IP X7 exposed (with cable plugged)

Technical Data	
Housing	Material: Aluminum Case Display: Touch Screen Bezel: PC-FR
Dimensions	WxH: 250mm x 125mm Installation Depth: 40mm
Display	Viewing Area: 190mm x 100mm
Start-Up Time	Cold start: 5sec Warm start: 3sec
Colors	Full 24 bit / 16 mio. colors
In-/Outputs	2x M12 VDO Bus Connector; 2x M12 Video Connectors
Supply Voltage	12 -24 VDC
Rated Voltage	9 -32 VDC
Current Consumption	<1 Ampere
Operating Temperature	-25°C / +70°C
Storage Temperature	-40°C / +85°C
Nominal Position	NL 0° to NL 90°; According to DIN 16257
Mounting/Fixing	Front mount
Protection Class	IEC 60945 exposed equipment (IPX7 extended)
Flammability	UL-94V0
EMC	IEC 60945:2002 / ISO7637-2
Reverse Polarity Protection	Yes, 1 minute
Short Circuit Protection	Yes, 1 minute
Approval	CE; RoHS and IEC 60945

Connectors

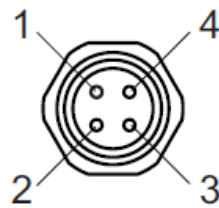
2x VDO Bus

Pins	Function
1	Ignition / Kl. 15
2	GND / Kl. 31
3	Battery+ / Kl. 30
4	CAN H
5	CAN L
6	Shield
7	Ignition / Kl. 15
8	GND / Kl. 31

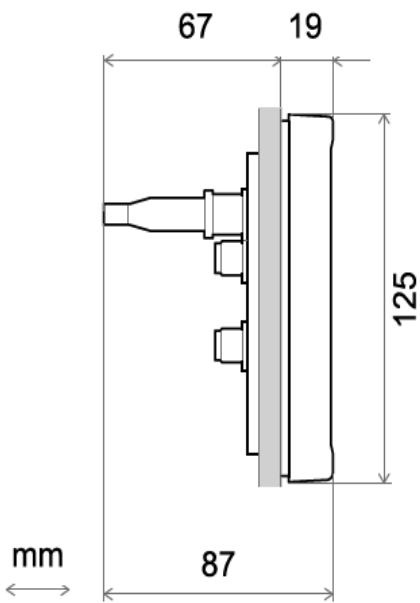
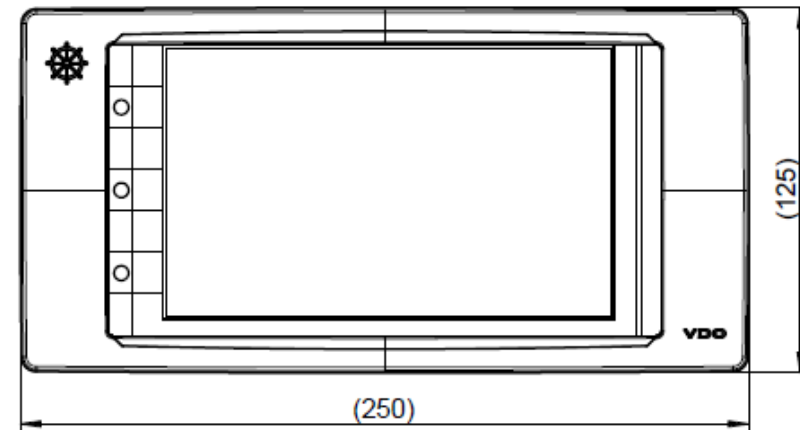


2x Video Input

Pins	Function
1	Video Input 2
2	Video Input 1
3	GND
4	GND

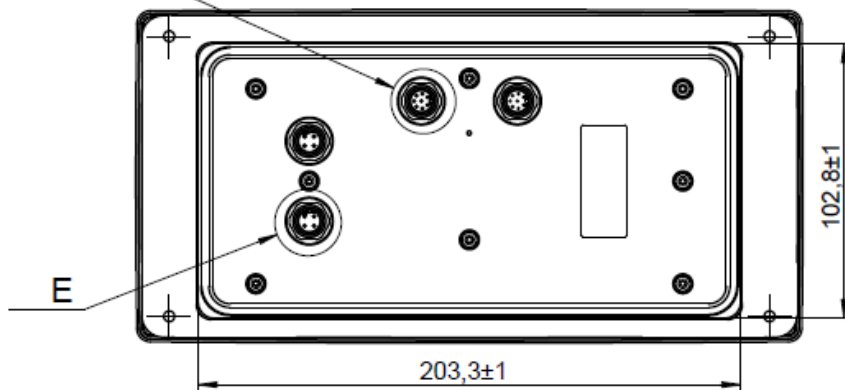


Mechanical Design



mm

D View without connector cups



Accessories

Part Number	Item specifics
A2C59501968	Dark Grey bezel TFT 7"
A2C3995200001	White Bezel printed
A2C59501948	8 pin male cable, straight VDO Bus input 5.0 m
A2C59501949	8 pin male cable, straight VDO Bus input 10.0 m
A2C59501950	4 pin female cable, straight Video input 0.5m
A2C59501951	4 pin female cable, straight Video input 2.0m
A2C59501952	4 pin female cable, straight Video input 5.0m
A2C59501953	4 pin female cable, straight Video input 10.0m
A2C59501958	8 pin female cable, straight VDO Bus input 0.5m
A2C59501960	8 pin female cable, straight VDO Bus input 2.0m
A2C59501961	8 pin female cable, straight VDO Bus input 5.0m
A2C59501962	8 pin female cable, straight VDO Bus input 10.0m
A2C59501959	8 pin female cable, 90° angle VDO Bus input 0.5 m
A2C99791100	Video harness
A2C59501973	Silicone cover for 7" TFT